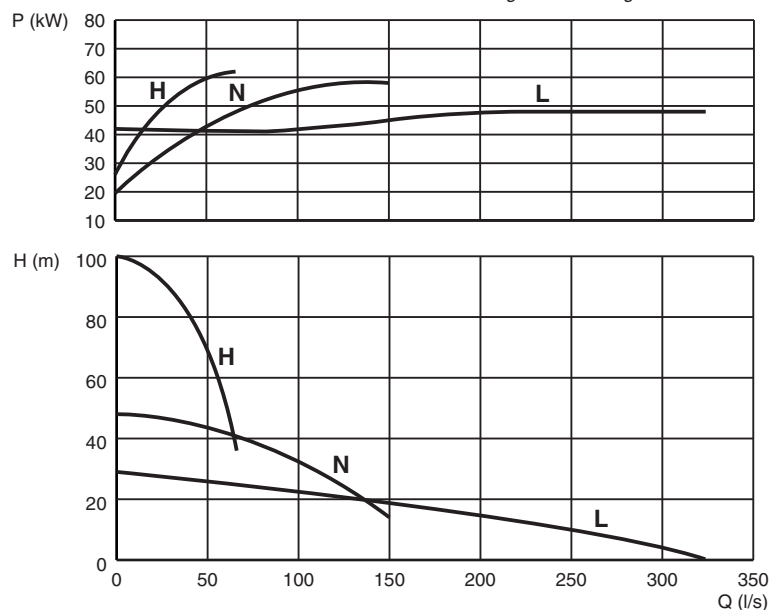
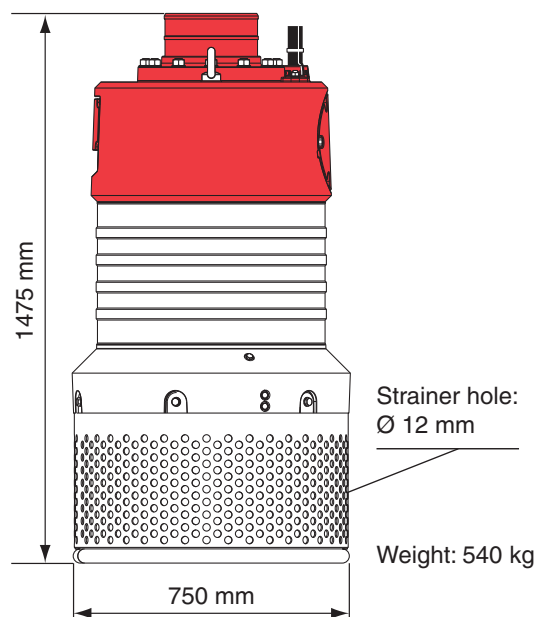


**MAGNUM***Electrical submersible drainage pump***50 Hz**[www.grindex.com](http://www.grindex.com)**PROLINE***The curves have been designed according to ISO 2548C***Pump types**

N: Normal head

H: High head

L: High flow

**Classification**

Electrical submersible pump

Protection class: IP68

Max. submersion depth: 20 m

**Electrical motor**

Squirrel cage induction motor

Insulation class: F (IEC 85)

| Technical data     |        | N & L | H    |
|--------------------|--------|-------|------|
| Shaft speed        | r.p.m. | 1450  | 2800 |
| Rated output       | kW     | 53    | 53   |
| Max. power cons.   | kW     | 58    | 58   |
| Rated current A at | 400 V  | 96    | 93   |
|                    | 500 V  | 77    | 75   |

*Other voltages on request***Motor protector**

Temperature guard with thermal contacts in the stator, leakage sensor in the stator, airvalve, DOL or star/delta. This pump must be connected to an external starter box

**Power cable**

H07RN-F, length 20 m

4x35 mm<sup>2</sup>, U = 400 V, DOL4x25 mm<sup>2</sup>, U = 500 V, DOL4x16 mm<sup>2</sup>, U = 400 V, star/delta4x10 mm<sup>2</sup>, U = 500 V, star/delta**Pilot cable**

H07RN-F, length 21 m

2x1.5 mm<sup>2</sup>**Shaft seals**

Double mechanical face seals with an oil compartment between the seals

Material lower seal: Corrosion resistant cemented carbide - corrosion resistant cemented carbide

Material upper seal: Cemented carbide - cemented carbide

**Bearings**

Lower: Double angular contact ball bearing with C3 clearance

Upper: Ball bearing with C3 clearance

**Discharge connections**

Hose, BSP or NPT

N: 8"

H: 6"

L: 10"

**Materials**

|                 |                            |
|-----------------|----------------------------|
| Casted parts    | Aluminium                  |
| Outer casing    | Stainless steel            |
| Motor shaft     | Stainless steel            |
| Impeller        | Cr-alloyed white cast iron |
| Screws and nuts | Stainless steel            |
| Diffusers       | Polyurethane               |

**Accessories**

Starter box, DOL or star/delta

Tandem connection

Zinc anodes

Non return valve

**Limitations**

Max. submersion depth: 20 m

Max. liquid temperature: 40°C

Max. liquid density: 1100 kg/m<sup>3</sup>

pH of the liquid: 5-8

*Specifications can be changed without notice.*